

12038

100VAC to 240VAC  
Energy Saving AC Fan

**NEW**



ATEX CE cULus

**General Specifications**

- ◆ Frame Size..... 120x120x38mm new high performance 5 blades
- ◆ Material..... Frame: Plastic (UL94V-0), Impeller:Plastic(UL94V-0)  
Lead Wire: UL1007AWG#24 300mm or Terminal
- ◆ Motor Protection..... AF series fans have auto restart function
- ◆ Input Voltage..... A rated voltage range of 100V~240V(50/60Hz) AC&DC ,Rotation speed remains constant even at different input voltages
- ◆ Dielectric Strength..... 50/60Hz 1500 VAC 1min (Between input terminal and frame)
- ◆ Temperature Range.... Operating Temperature -20°C~70°C (Non-condensing)  
Storage Temperature -40°C~70°C (Non-condensing)
- ◆ Expected life..... Ball Bearing 70,000hrs at 40°C (approximately 8 years)
- ◆ Fan Specials..... **RD FG PWM IP54 AS**

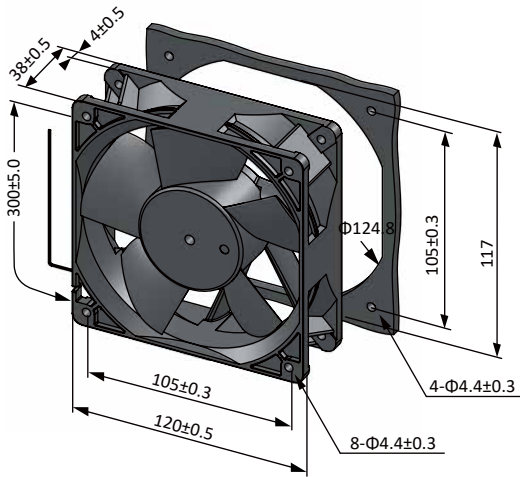
**Specifications**

| Model           | Rev | #Bearing Type | Rated Voltage | Input Current | Input Power | Speed | Max Air Flow |                     | Max Static Pressure   |        | Noise | Weight |
|-----------------|-----|---------------|---------------|---------------|-------------|-------|--------------|---------------------|-----------------------|--------|-------|--------|
| Part No.        | A   | B.S           | VDC           | Amp           | Watt        | RPM   | CFM          | m <sup>3</sup> /min | Inch-H <sub>2</sub> O | Pa     | dB-A  | g      |
| AF12038B00UL-S5 | A01 | B             | 100~240       | 0.18          | 15.0        | 3500  | 137.64       | 3.06                | 0.47                  | 110.86 | 47.0  | 260    |
| AF12038B00HL-S5 | A01 | B             | 100~240       | 0.12          | 9.50        | 3300  | 126.73       | 2.58                | 0.40                  | 73.74  | 43.0  | 260    |
| AF12038B00ML-S5 | A01 | B             | 100~240       | 0.10          | 6.20        | 2700  | 106.03       | 2.18                | 0.29                  | 54.33  | 40.0  | 260    |
| AF12038B00LL-S5 | A01 | B             | 100~240       | 0.08          | 4.20        | 2400  | 91.03        | 2.58                | 0.30                  | 73.74  | 36.0  | 260    |
| AF12038B00DL-S5 | A01 | B             | 100~240       | 0.05          | 3.50        | 2000  | 77.00        | 2.18                | 0.22                  | 54.33  | 32.0  | 260    |

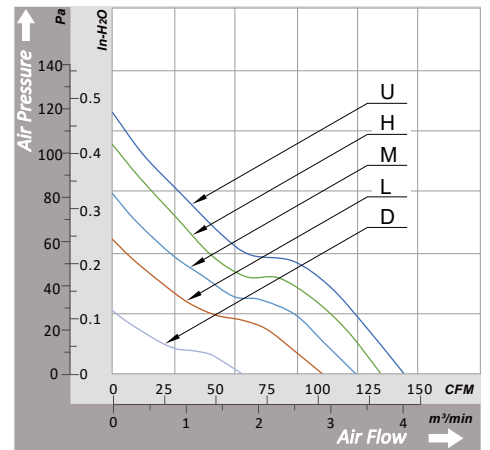
Specifications are subject to change without notice. Please visit our website at <http://www.szhxht.com> for update information.

Note: "00" is 110~220 VAC, (L) is Leadwire, (T) is Terminal, (S) is 5 blades.

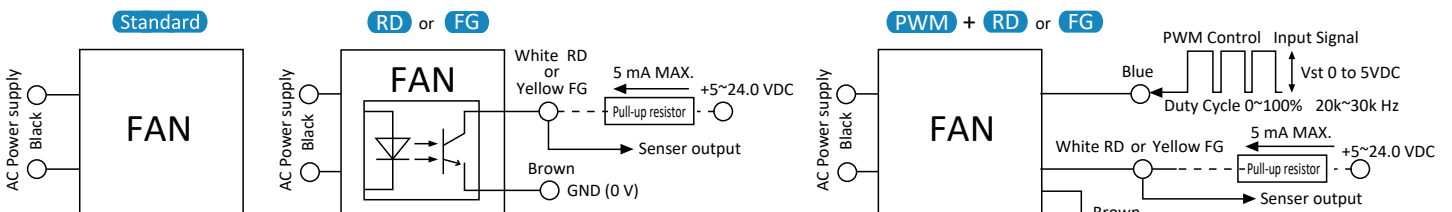
**Dimensions (Unit:mm)**



**PQ Curve (At Rated Voltage)**



**Wiring Diagram**



Note: Standard AF fan have two lead wire or Terminal.  
RD or FG, have 4 lead wires. RD is White color, FG is Yellow color, Brown is Ground  
PWM with RD or FG signal have 5 lead wires, PWM is Blue color, Brown is Ground